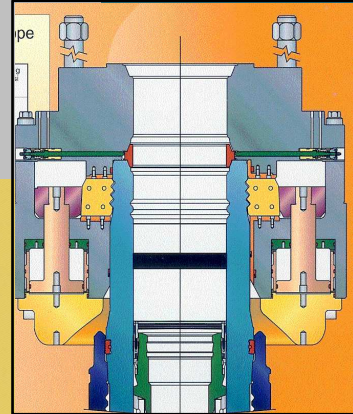
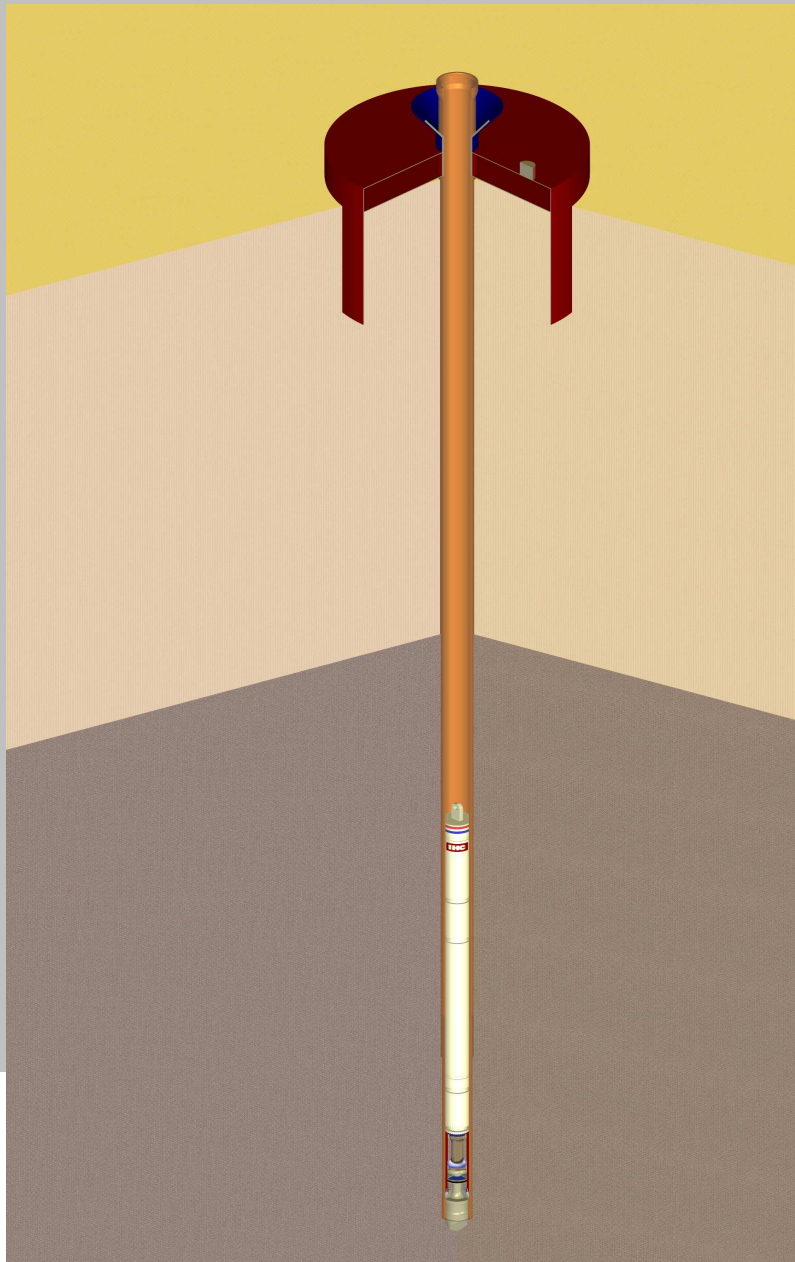


PreConduct

Pre-Installation of Conductors



NeoDrill AS
NeoDrill AS
Kongsgata 9
N-4330 Algard
Norway

Tel: +47 51 61 66 11
Fax: +47 51 61 66 31
Email: harstran@online.no
Website: www.infoside.no/neodrill

GeoDrive
Technology

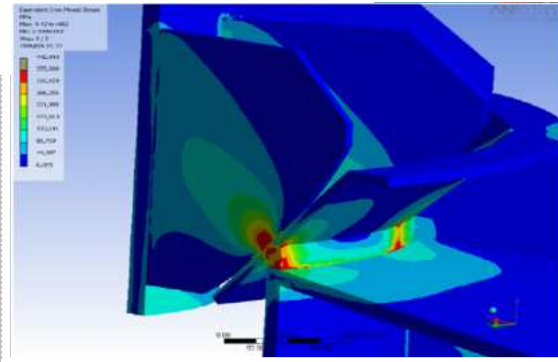
Tel: +31 65 161 4213
Fax: +31 35 698 9495
Email: gjonker@geodrive.nl
Website: www.geodrive.nl

PreConduct

Top-hole design specialists

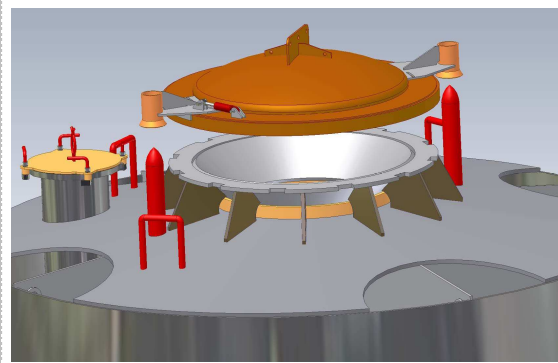
Pre-Conduct Features:

- Pre-installation of conductors
- Engineered top-hole design
- Riser ready well foundations
- Cement-less surface casing installation
- Environmental friendly solution (zero disposal)



Top-Hole Design:

- "All-in-One" Top-hole (well) design
- Well foundation development
- Unique and patented installation concepts
- Template (suction base)-conductor interaction
- Only engineered solutions



Installation Engineering:

- Driveability and suction-ability analyses
- Self-weight penetration analyses
- Top-drive and toe-drive analyses
- Drive-drill-drive operations
- Installation procedures
- Vessel requirements and resourcing



Installation management:

- Coordination of fieldwork prior to installation
- Supervision of soil investigation
- Field monitoring services

